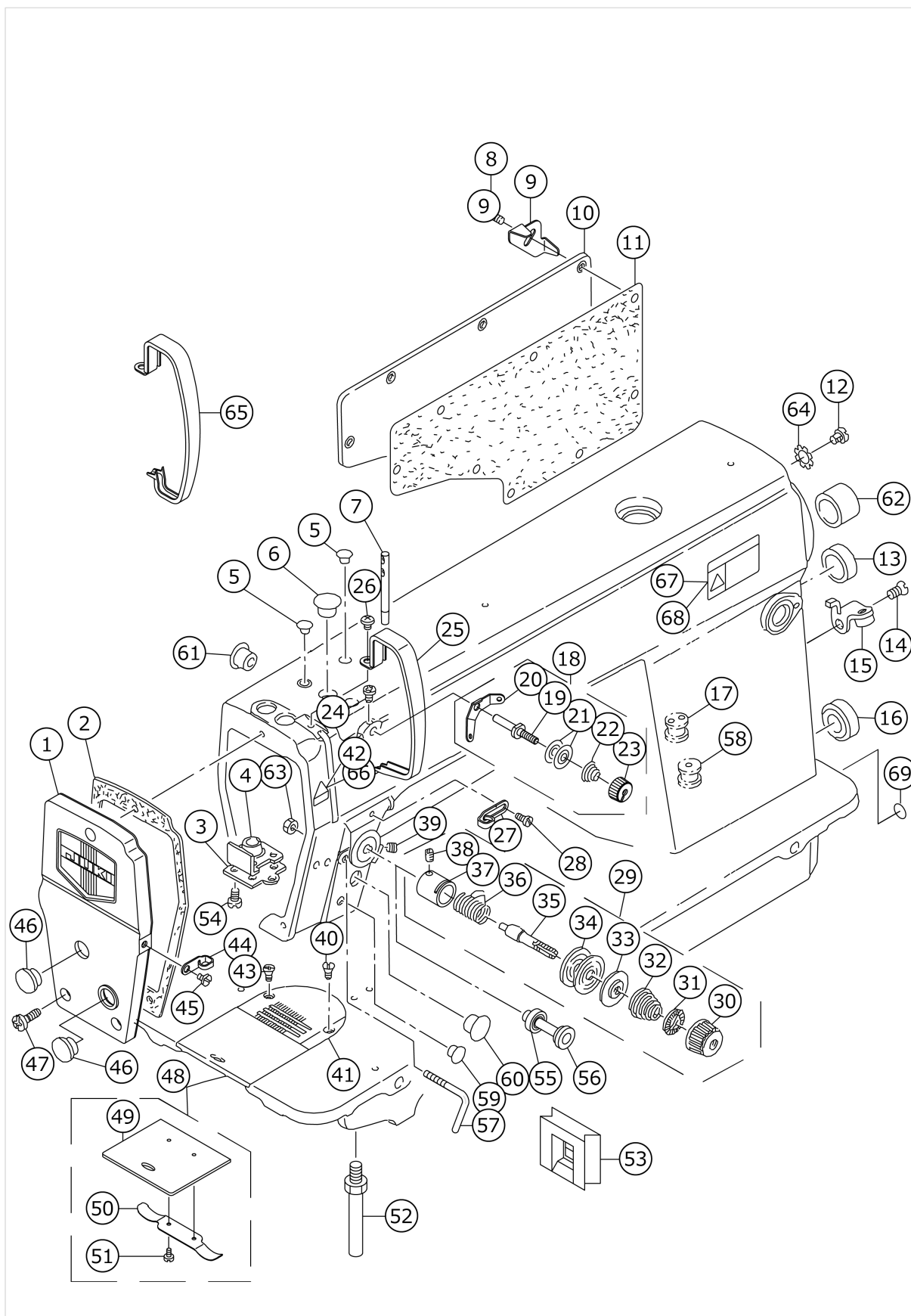


DLN-5410N-7/DLN-5410NH-7/DLN-5410NJ-7

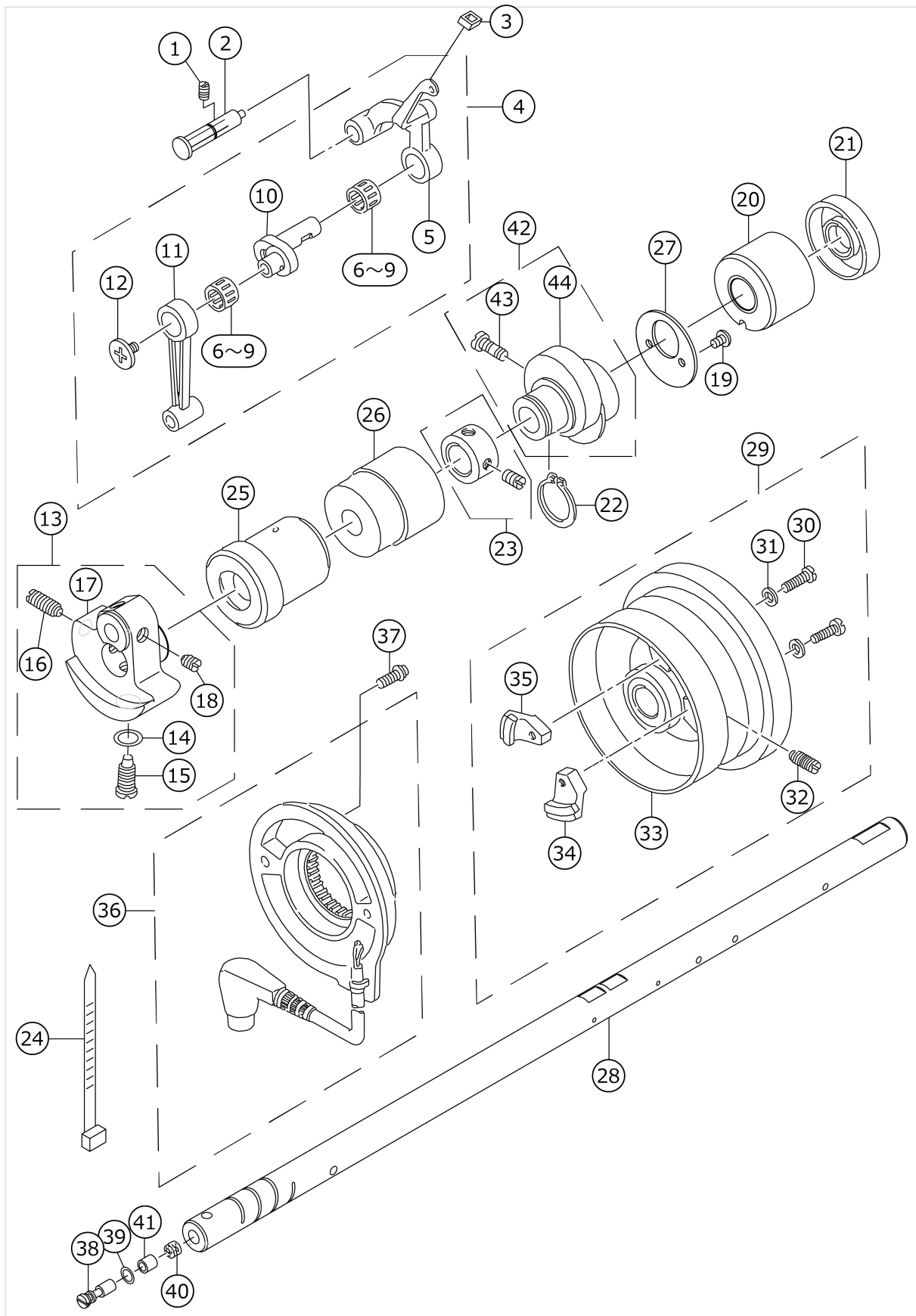
MACHINE FRAME & MISCELLANEOUS COVER COMPONENTS



No.	品番	品名	備考	子部品	消耗品	個数
1	11325750	FACE PLATE ASM.				1.00
2	11300506	FACE PLATE GASKET				1.00
3	11300407	PRESSER BAR SUPPORT				1.00
4	11300605	GASKET				1.00
5	TA0850604R0	RUBBER PLUG				2.00
6	TA1250705R0	RUBBER PLUG				1.00
7	22958300	NEEDLE THREAD GUIDE PIN				1.00
8	SS4120915SP	SCREW 3/16-28 L=9				8.00
9	22954705	CORD FIXING METAL FITTING	FOR DLN-5410N-7-0B,-WB			1.00
10	22900401	WINDOW PLATE				1.00
11	11003308	SIDE PLATE PACKING				1.00
12	SS4120615SP	SCREW 3/16-28 L=6				1.00
13	TA2000502R0	RUBBER PLUG				1.00
14	SS1120710SP	SCREW 3/16-28 L=6.7				1.00
15	11095254	LEVER STOPPER ASM.	FOR DLN-5410N-7-0B,-WB			1.00
16	TA2101002R0	RUBBER PLUG				1.00
17	40111022	MAGNET CORD RUBBER	FOR DLN-5410N-7-0B,-WB			1.00
18	22945463	THREAD TENSION ASM. NO.1				1.00
19	22945414	THREAD TENSION POST		*		1.00
20	22945604	THREAD TENSION GUIDE		*		1.00
21	22945802	THREAD TENSION DISK		*		2.00
22	22945505	THREAD TENSION SPRING		*		1.00
23	22945703	THREAD TENSION NUT		*		1.00
24	SS4120615SP	SCREW 3/16-28 L=6				1.00
25	22900609	THREAD TAKE-UP LEVER COVER				1.00
26	SS4120615SP	SCREW 3/16-28 L=6				1.00
27	22920508	ARM THREAD GUIDE A				1.00
28	22921001	SCREW				1.00
29	22945356	THREAD TENSION ASM.				1.00
30	22921308	THREAD TENSION NUT		*		1.00
31	22921407	ROTATION STOPPER		*		1.00
32	22921704	THREAD TENSION SPRING A		*		1.00
33	22921803	DISK STOPPER		*		1.00
34	22921506	THREAD TENSION DISK		*		2.00
35	22921209	THREAD TENSION POST		*		1.00
36	22921605	THREAD TAKE-UP SPRING		*		1.00
37	22945307	THREAD TENSION POST BASE		*		1.00
38	SS8090670SP	SCREW 9/64-40 L=5.5		*		1.00
39	SS8150710TP	SCREW 15/64-28 L=7				1.00
40	SS2110920TP	SCREW 11/64-40 L=8.5				1.00
41	11300308	THROAT PLATE				1.00
42	CM300200001	ATTENTION SEAL	FOR JE			1.00
43	SS2110915SP	SCREW 11/64-40 L=8.5				1.00
44	22920607	ARM THREAD GUIDE B				1.00
45	SS6110610TP	SCREW 11/64-40 L=6				1.00
46	TA1250406R0	RUBBER PLUG D=12.5 L=4				2.00
47	SS4121015SP	SCREW 3/16-28 L=10				3.00

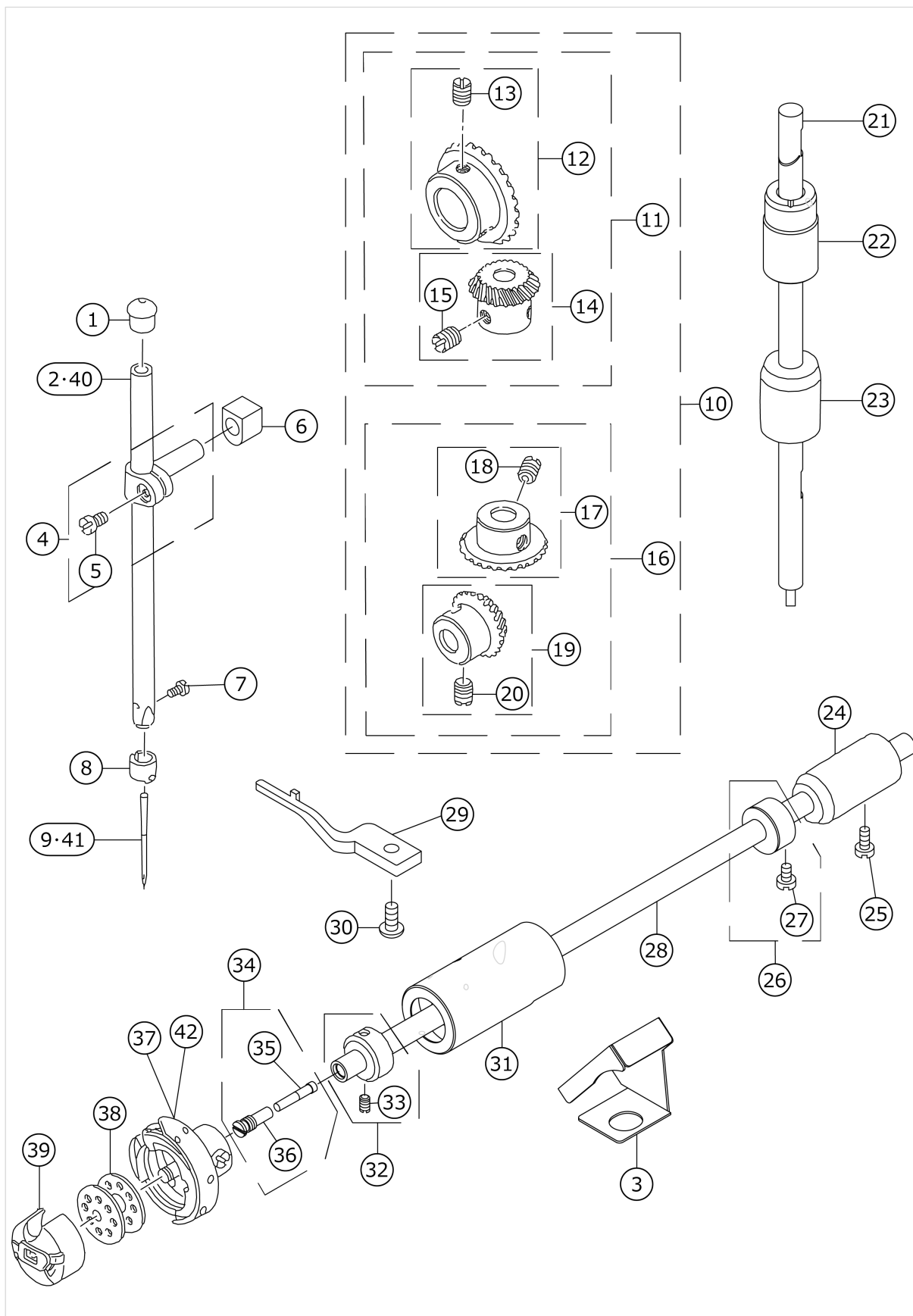
48	22901250	SLIDE PLATE ASM.				1.00
49	22901201	SLIDE PLATE		*		1.00
50	22901300	SLIDE PLATE SPRING		*		1.00
51	SS6060210SP	SCREW 3/32-56 L=1.9		*		2.00
52	22901003	BED SCREW STUD				4.00
53	22935407	BED OIL SHIELD RUBBER				1.00
54	SS1120710SP	SCREW 3/16-28 L=6.5				4.00
55	B31334150A0	TENSION RELEASE PIN CAP ASM.				1.00
56	B3136415000	CAP RING				1.00
57	22972608	ARM THREAD GUIDE C				1.00
58	11030202	RUBBER BUSHING	FOR DLN-5410N-7-00,-W0			1.00
59	TA0850604R0	RUBBER PLUG				1.00
60	TA1250504R0	RUBBER PLUG				1.00
61	TA1250504R0	RUBBER PLUG				1.00
62	TA2101002R0	RUBBER PLUG				1.00
63	NS6110310SP	NUT 11/64-40				1.00
64	WT0530002KS	TOOTHED WASHER D=5.3				1.00
65	11415205	THREAD TAKE-UP LEVER COVER(JE)	FOR JE			1.00
66	CM3002000B1	LABEL(16)	FOR USE IN JAPAN			1.00
67	CM300200101	SAFETY LABEL 1(SMALL).	FOR USE IN JAPAN			1.00
68	CM3002001A1	SAFETY LABEL 3(SMALL).	EXCEPT JE & USE IN JAPAN			1.00
69	22901805	GROUND MARK				1.00

# MAIN SHAFT COMPONENTS



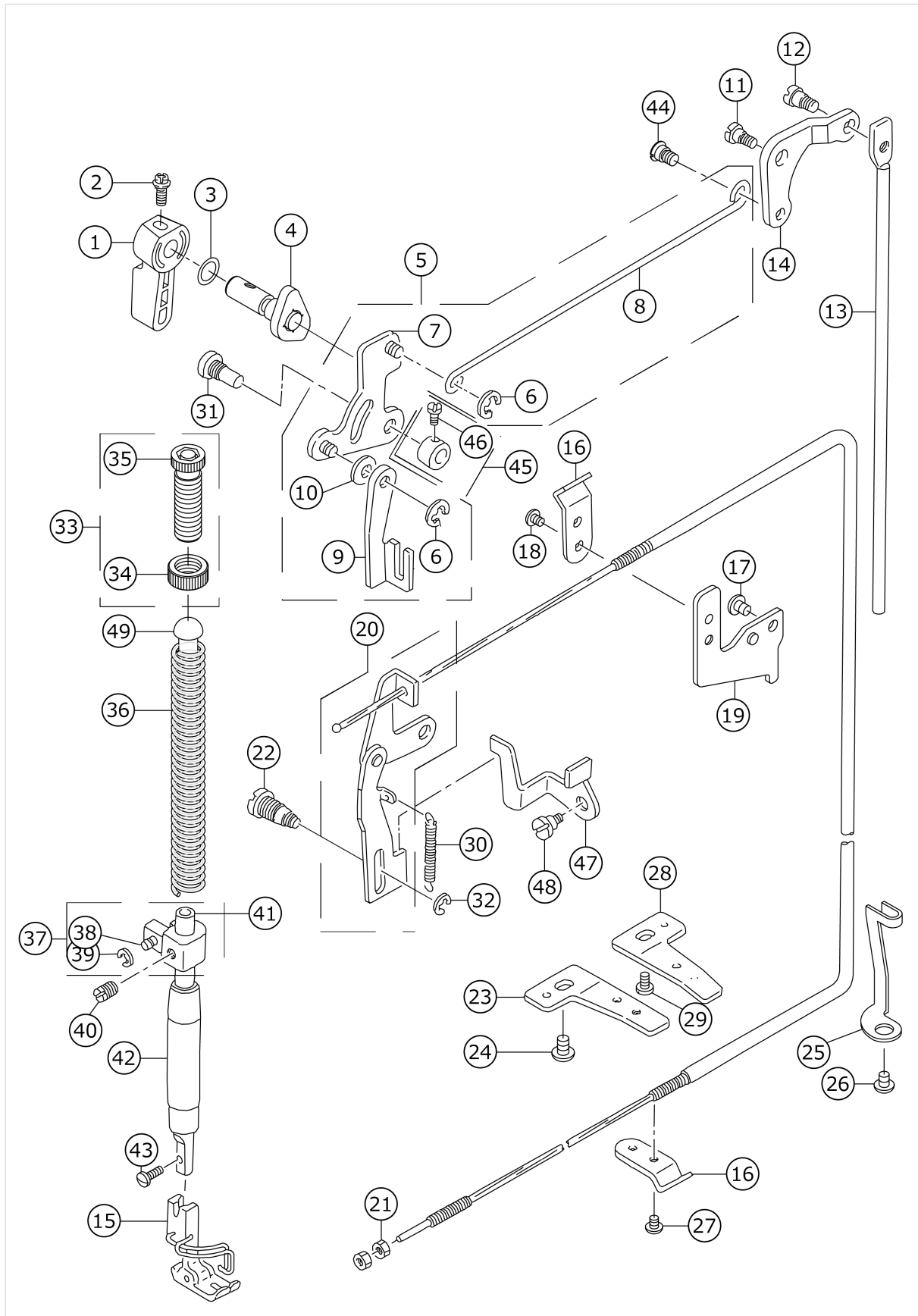
No.	品番	品名	備考	子部品	消耗品	個数
1	SS8151150TP	SCREW 15/64-28 L=10.5				1.00
2	11017357	THREAD TAKE-UP CRANK SHAFT ASM.				1.00
3	22919203	OIL PROTECTING RUBBER				1.00
4	22918072	THREAD TAKE-UP LEVER COMPL.				1.00
5	22918064	THREAD TAKE-UP LEVER ASM.		*		1.00
6	22918403	NEEDLE BEARING A	SELECTIVE PARTS	*		2.00
7	22918502	NEEDLE BEARING B	SELECTIVE PARTS	*		2.00
8	22918601	NEEDLE BEARING C	SELECTIVE PARTS	*		2.00
9	22918700	NEEDLE BEARING D	SELECTIVE PARTS	*		2.00
10	22918106	NEEDLE BAR CRANK		*		1.00
11	22906606	NEEDLE BAR CRANK ROD		*		1.00
12	22918304	LEFT SCREW		*		1.00
13	40106606	COUNTER_WEIGHT_ASM.				1.00
14	RO044240100	RUBBER RING		*		1.00
15	SS7681650TP	SCREW 9/32-28 L=16		*		1.00
16	SS8681650TP	SCREW 9/32-28 L=16		*		1.00
17	40106607	COUNTER_WEIGHT		*		1.00
18	SS8660610TP	SCREW 1/4-40 L=6		*		2.00
19	SS4090615SP	SCREW 9/64-40 L=6				2.00
20	11002409	MAIN SHAFT BUSHING REAR				1.00
21	40105231	OIL SEAL				1.00
22	RC1850001KP	SNAP RING 18.5				1.00
23	22904155	MAIN SHAFT THRUST COLLAR ASM.				1.00
24	EA9500B0100	CABLE BAND				1.00
25	11300902	BUSHING FRONT				1.00
26	11202306	BUSHING INTERMEDIATE				1.00
27	22910103	THRUST COLLAR				1.00
28	22903009	MAIN SHAFT				1.00
29	11071461	HAND WHEEL ASM.				1.00
30	SS6111210SP	SCREW 11/64-40 L=12		*		2.00
31	WP0450801SD	WASHER 4.5X10X0.8		*		2.00
32	SS8151550SP	SCREW 15/64-28 L=15		*		2.00
33	11071453	HAND WHEEL ASM.		*		1.00
34	M40071100AA	MAGNET FITTING BASE A ASM.		*		1.00
35	M40071100AB	MAGNET FITTING BASE B ASM.		*		1.00
36	22937965	DYNAMO STATOR				1.00
37	SL4051001MZ	SCREW M5 L=9.6				2.00
38	B1213552000A	OIL ADJUSTING PIN				1.00
39	RO029180100	RUBBER RING				1.00
40	11002904	ROLLER FELT				1.00
41	B1215552000	OIL ADJUSTING COLLAR				1.00
42	11302353	FEED DRIVE ECCENTRIC CAM ASM.				1.00
43	SS6661110SP	SCREW 1/4-40 L=11		*		2.00
44	11302304	FEED DRIVE ECCENTRIC CAM		*		1.00

# NEEDLE BAR, UPRIGHT SHAFT & HOOK DRIVING SHAFT COMPONENTS



No.	品番	品名	備考	子部品	消耗品	個数
1	TA1250804R0	RUBBER PLUG				1.00
2	11301009	NEEDLE BAR A				1.00
3	22942601	OIL SHIELD				1.00
4	22906457	NEEDLE BAR HOLDER ASM.				1.00
5	SS6090670TP	SCREW 9/64-40 L=6		*		1.00
6	B1414226000	SLIDE BLOCK				1.00
7	SS7080510TP	SCREW 1/8-44 L=4.5				1.00
8	B1418552A00	NEEDLE THREAD GUIDE A				1.00
9	MDB100B1400	NEEDLE DBX1 #14				1.00
10	B13061550C0	GEAR & PINION ASM.				1.00
11	B13061550B0	GEAR & PINION ASM. UPPER		*		1.00
12	B13050120A0	GEAR ASM.		*		1.00
13	SS8660810TP	SCREW 1/4-40 L=8		*		2.00
14	B13061550A0	PINION ASM.		*		1.00
15	SS8660810TP	SCREW 1/4-40 L=8		*		2.00
16	B13071550B0	GEAR & PINION ASM. LOWER		*		1.00
17	B13071550A0	GEAR ASM. LARGE		*		1.00
18	SS8660810TP	SCREW 1/4-40 L=8		*		2.00
19	B13081550A0	PINION ASM.		*		1.00
20	SS8660810TP	SCREW 1/4-40 L=8		*		2.00
21	22905004	UPRIGHT SHAFT				1.00
22	22905103	UPRIGHT SHAFT BUSHING UPPER				1.00
23	11004207	UPRIGHT SHAFT BUSHING LOWER				1.00
24	22916308	HOOK DRIVING SHAFT BUSH REAR				1.00
25	SS4120915SP	SCREW 3/16-28 L=9				1.00
26	22917157	THRUST COLLAR ASM. REAR				1.00
27	SS6110420TP	SCREW 11/64-40 L=4.8		*		2.00
28	22916001	HOOK DRIVING SHAFT				1.00
29	11038809	BOBBIN CASE HOLDER				1.00
30	SS4110915TP	SCREW 11/64-40 L=9				1.00
31	22916100	HOOK DRIVING SHAFT BUSH FRONT				1.00
32	22917058	THRUST COLLAR ASM. FRONT				1.00
33	SS8110410TP	SCREW 11/64-40 L=3.5		*		2.00
34	22916555	OIL SEAL SCREW ASM.				1.00
35	11015906	OIL WICK		*		1.00
36	22916506	SET SCREW		*		1.00
37	11141355	HOOK ASM.				1.00
38	22932909	BOBBIN				1.00
39	11038759	BOBBIN CASE ASM.				1.00
40	11301108	NEEDLE BAR B	FOR JE			1.00
41	MC200500900	NEEDLE 134 90	FOR JE			1.00
42	11038650	HOOK ASM.	FOR JH,USE IN JAPAN			1.00

# HAND LIFTER COMPONENTS

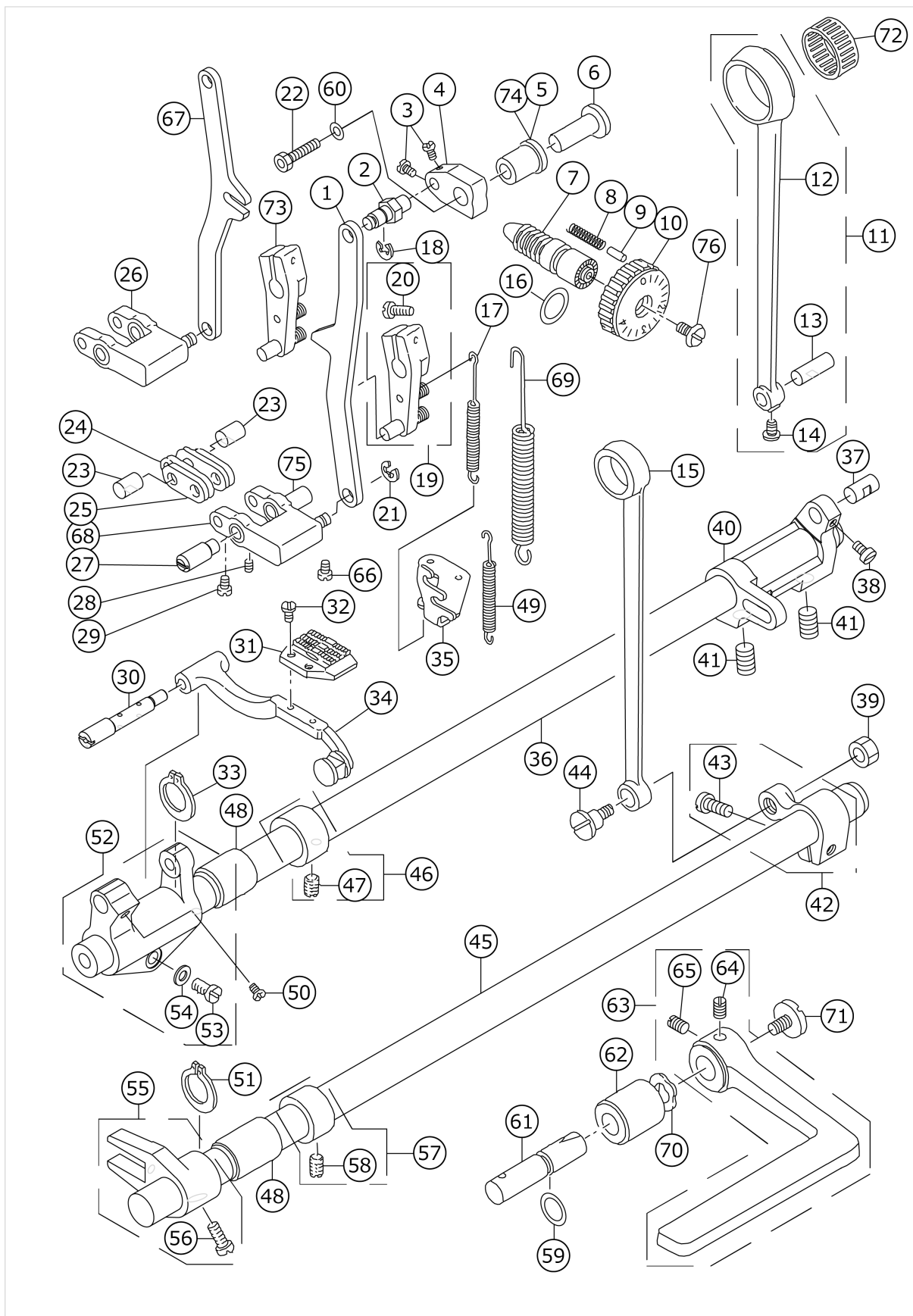




No.	品番	品名	備考	子部品	消耗品	個数
1	22907802	HAND LIFTER				1.00
2	B1521555000	SCREW				1.00
3	RO037180100	RUBBER RING				1.00
4	22908552	HAND LIFTER CAM ASM.				1.00
5	11301652	LIFTING LEVER ASM.				1.00
6	RE0500000K0	E-RING		*		2.00
7	22908156	LIFTING LINK ASM.		*		1.00
8	22908305	KNEE LIFTER SIDE ROD		*		1.00
9	11301603	LIFTING LEVER		*		1.00
10	WP0650876SD	WASHER 6.5X13X0.8		*		1.00
11	SD0720331SP	HINGE SCREW D=7.24 H=3.3				1.00
12	SD0600322SD	HINGE SCREW D=6 H=3.2				1.00
13	11205408	CONNECTING ROD				1.00
14	11205309	LIFTING LEVER LINK				1.00
15	D1524415BBC	PRESSER FOOT ASM.				1.00
16	22944508	WIRE PRESSER A				2.00
17	SS4120615SP	SCREW 3/16-28 L=6				1.00
18	SS4110515SP	SCREW 11/64-40 L=5				1.00
19	22944607	WIRE PRESSER BASE UPPER				1.00
20	11312055	WIRE CABLE ASM.				1.00
21	NS6620310SP	NUT 3/16-32				2.00
22	11306107	TENSION RELEASE PLATE SHAFT				1.00
23	22944706	WIRE PRESSER BASE LOWER	FOR DLN-5410N-7-00			1.00
24	SS4150915SP	SCREW 15/64-28 L=9	FOR DLN-5410N-7-00			1.00
25	11306206	WIRE CABLE HOLDER				1.00
26	SS4120615SP	SCREW 3/16-28 L=6				1.00
27	SS4110515SP	SCREW 11/64-40 L=5				1.00
28	22962807	WIRE PRESSER PLATE B	FOR DLN-5410N-7-0B,-WB			1.00
29	SS7110740TP	SCREW 11/64-40 L=7	FOR DLN-5410N-7-0B,-WB			1.00
30	11305901	SPRING				1.00
31	11301702	LINK SHAFT				1.00
32	RE0300000KP	E-RING				1.00
33	22907554	PRESSER SPRING REG NUT ASM.				1.00
34	22907604	PRESSER SPRING REGULATOR NUT		*		1.00
35	22907505	PRESSER SPRING REGULATOR		*		1.00
36	22907406	PRESSER SPRING				1.00
37	11301355	NEEDLE BAR GUIDE BRACKET ASM.				1.00
38	11301405	PIN		*		1.00
39	RE0300000K0	E-RING 3		*		2.00
40	SS8660610TP	SCREW 1/4-40 L=6				1.00
41	40017805	PRESSER BAR				1.00
42	40060989	PRESSER BAR BUSHING LOWER				1.00
43	SS7091110TP	SCREW 9/64-40 L=10.5				1.00
44	22908909	HINGE SCREW				1.00
45	CS064061ASP	THRUST COLLAR ASM.				1.00
46	SS7090620TP	SCREW 9/64-40 L=6.1		*		1.00

47	11305703	TENSION RELEASE LINK A				1.00
48	SD0640261SP	HINGE SCREW D=3.65 H=2.6				1.00
49	22907703	PRESSER GUIDE BAR				1.00

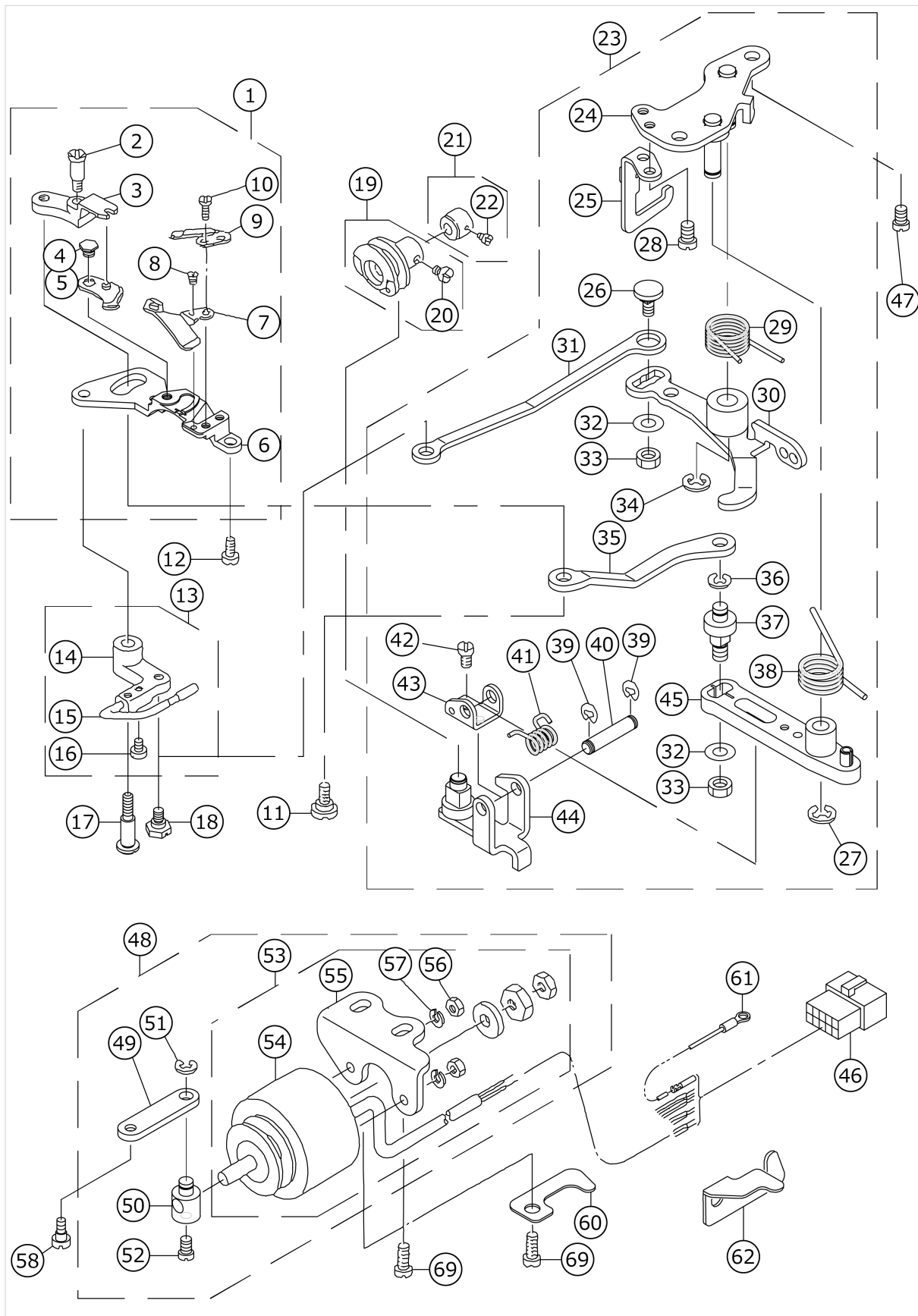
# FEED MECHANISM COMPONENTS



No.	品番	品名	備考	子部品	消耗品	個数
1	11314507	FEED ADJUST ROD	FOR DLN-5410N-7-0B,-WB			1.00
2	22971204	FEED REGULATOR BASE PIN				1.00
3	SS6090560TP	SCREW 9/64-40 L=4.5				2.00
4	11303328	FEED REGULATOR BUSHING				1.00
5	11009800	FEED REGULATOR BUSHING	FOR DLN-5410N-7-0B,-WB			1.00
6	11385127	FEED REGULATOR SHAFT				1.00
7	22911804	FEED REGULATOR SCREW				1.00
8	22912109	FEED REGULATOR PIN SPRING				1.00
9	22912000	FEED REGULATOR PIN				1.00
10	11326204	FEED DIAL				1.00
11	40081220	ROCKER SHAFT CONNECTING ROD ASM.				1.00
12	11302411	ROCKER SHAFT CONNECTING ROD		*		1.00
13	22911101	WALKING FOOT PIN C		*		1.00
14	SS6090620TP	SCREW		*		1.00
15	22915003	CONNECTING ROD				1.00
16	RO092270200	RUBBER RING				1.00
17	11302700	SPRING	FOR DLN-5410N-7-0B,-WB			1.00
18	RE0500000K0	E-RING				1.00
19	11302254	FEED REVERSE ARM ASM.	FOR DLN-5410N-7-00			1.00
20	SS7121410TP	SCREW 3/16-28 L=14		*		1.00
21	RE0500000K0	E-RING				1.00
22	SS9661120CP	SCREW 1/4-40 L=10.5				1.00
23	22910905	WALKING FOOT PIN A				2.00
24	22910707	CONNECTING LINK B				2.00
25	22910608	CONNECTING LINK A				2.00
26	11303161	FEED ADJUST LINK ASM.	FOR DLN-5410N-7-00			1.00
27	22910806	ADJUST LINK FULCRUM SHAFT A				1.00
28	SS8150710TP	SCREW 15/64-28 L=7				1.00
29	SS6090620TP	SCREW				2.00
30	22940803	FEED BAR SHAFT				1.00
31	D1609415B00	FEED DOG				1.00
32	SS4080620TP	SCREW 1/8-44 L=6				2.00
33	RC0150001KP	RETAINING RING 13.8				1.00
34	22940753	FEED BAR ASM.				1.00
35	22970602	FEED SPRING HOOK				1.00
36	22912901	FEED ROCKER SHAFT				1.00
37	22911002	WALKING FOOT PIN B				1.00
38	SS6090620TP	SCREW				1.00
39	NS6680410SP	NUT 9/32-28				1.00
40	11302502	FEED ROCKER SHAFT CRANK				1.00
41	SS8681130SP	SCREW 9/32-28 L=11				2.00
42	22915151	FEED ARM ASM.				1.00
43	SS7121610SP	SCREW 3/16-28 L=15.5		*		1.00
44	SD1000801SH	HINGE SCREW D=10 H=8				1.00
45	22915201	FEED DRIVING SHAFT				1.00

46	CS147121ASH	THRUST COLLAR ASM.D=14.72 W=12				1.00
47	SS8660610TP	SCREW 1/4-40 L=6		*		2.00
48	22913008	FEED ROCKER SHAFT BUSHING				2.00
49	11305000	SPRING	FOR DLN-5410N-7-00			1.00
50	SS7110740TP	SCREW 11/64-40 L=7				1.00
51	RC0150001KP	RETAINING RING 13.8				1.00
52	22940654	FEED ROCKER ASM.				1.00
53	SS7121410TP	SCREW 3/16-28 L=14		*		1.00
54	WP0480856SP	WASHER 4.8X8.4X0.8		*		1.00
55	22915359	DRIVING SHAFT CRANK ASM.				1.00
56	SS7111120SP	SCREW 11/64-40 L=10.5		*		1.00
57	CS147121ASH	THRUST COLLAR ASM. D=14.72 W=12				1.00
58	SS8660610TP	SCREW 1/4-40 L=6		*		2.00
59	RO078190100	RUBBER RING				1.00
60	WP0702026SP	WASHER 7X15X2				1.00
61	22967202	FEED LEVER SHAFT				1.00
62	22912802	FEED LEVER SHAFT BUSHING				1.00
63	22912752	FEED LEVER ASM.				1.00
64	SM8061050TP	SCREW		*		1.00
65	SM8061010TP	SCREW M6 L=10		*		1.00
66	SS6151220SP	SCREW 15/64-28 L=11.5				1.00
67	22971105	FEED REGULATOR ROD	FOR DLN-5410N-7-00			1.00
68	11314267	FEED ADJUST LINK ASM.	FOR DLN-5410N-7-0B,-WB			1.00
69	11302619	SPRING				1.00
70	WZ1250300K0	WAVED WASHER 12.5X17X0.3	FOR DLN-5410N-7-00			1.00
71	SS7620750SP	SCREW 3/16-32 L=6.5				1.00
72	B1636581C00	NEEDLE BEARING	SELECTIVE PARTS			1.00
73	11311057	FEED REVERSE ARM ASM.	FOR DLN-5410N-7-0B,-WB			1.00
74	22911705	FEED REGULATOR BUSHING	FOR DLN-5410N-7-00			1.00
75	40010395	ADJUSTING LINK FULCRUM SHAFT B	FOR DLN-5410N-7-0B,-WB			1.00
76	SS6121860SP	SCREW 3/16-28 L=18				1.00

# THREAD TRIMMER COMPONENTS

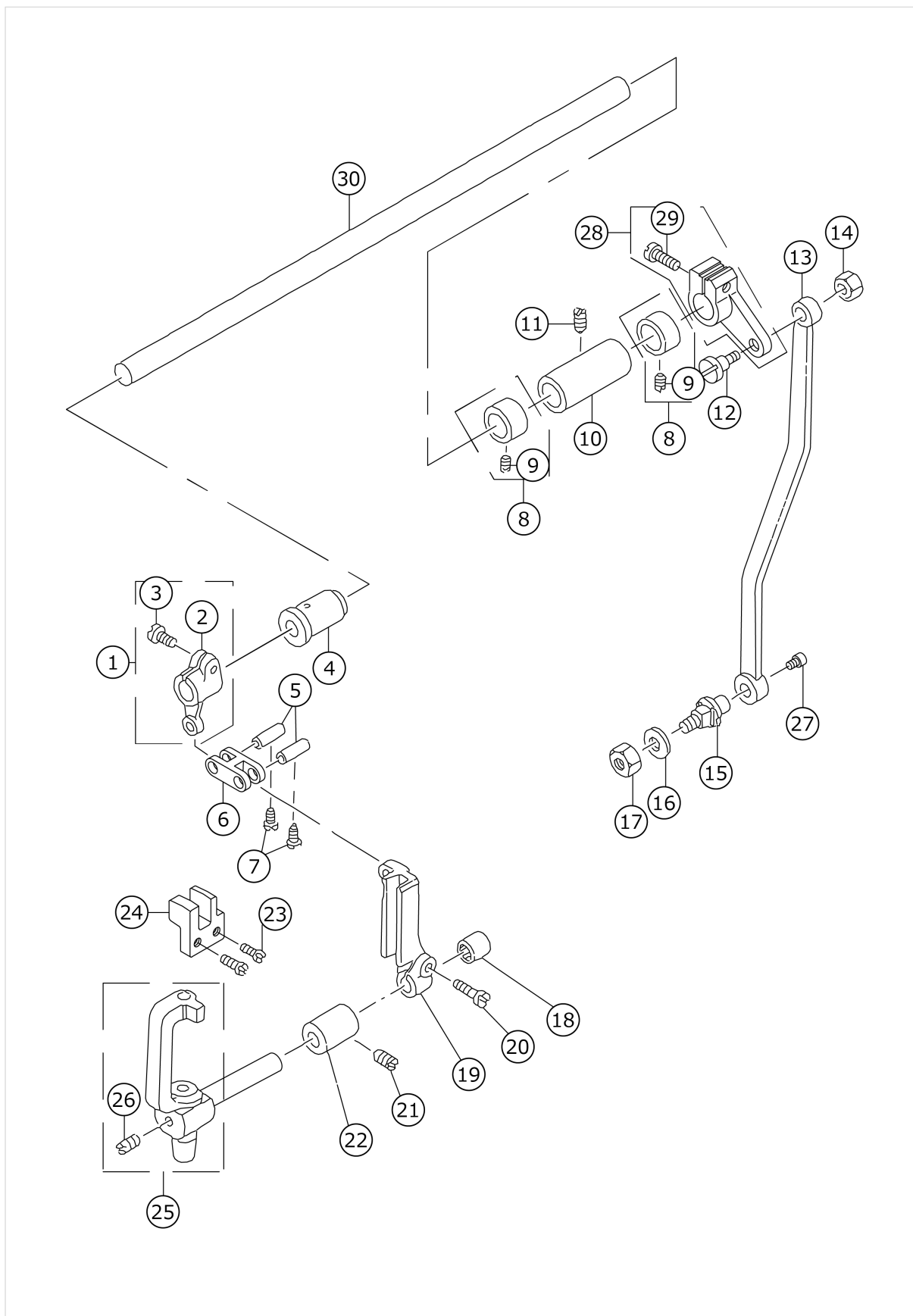


No.	品番	品名	備考	子部品	消耗品	個数
1	11313251	KNIFE UNIT				1.00
2	SD0460703TP	HINGE SCREW D=4.6 H=7		*		1.00
3	11232105	FORKED BASE FOR KNIFE		*		1.00
4	SD0500095TH	HINGE SCREW D=5 H=0.85		*		1.00
5	11313053	MOVING KNIFE ASM.		*		1.00
6	22947907	KNIFE MOUNTING BASE		*		1.00
7	11313103	THREAD GUIDE FOR KNIFE		*		1.00
8	SS2060210SP	SCREW 3/32-56 L=2.3		*		1.00
9	D2406555D0H	COUNTER KNIFE		*		1.00
10	SS4080620TP	SCREW 1/8-44 L=6		*		2.00
11	SD0640631TP	HINGE SCREW D=6.35 H=6.3				1.00
12	SS4110715SP	SCREW 11/64-40 L=7				1.00
13	22950257	PICKER ARM ASM.				1.00
14	22950208	PICKER ARM		*		1.00
15	22950356	HOOK THREAD PRESSER ASM.		*		1.00
16	SS6090510TP	SCREW 9/64-40 L=5.0		*		2.00
17	SD0641451SP	HINGE SCREW D=6.35 H=14.5				1.00
18	SD0630275SP	HINGE SCREW D=6.35 H=2.7				1.00
19	22950851	THREAD TRIMMER CAM ASM.				1.00
20	SS6660610TP	SCREW 1/4-40 L=6		*		2.00
21	22950950	CAM COLLAR ASM.				1.00
22	SS8110520TP	SCREW 11/64-40 L=4.5		*		1.00
23	22949762	THREAD TRIMMER DRIVING UNIT				1.00
24	22949754	BASE PLATE ASM.		*		1.00
25	22950703	DRIVING ARM STOPPER		*		1.00
26	22950000	PICKER LINK PIN		*		1.00
27	RE0600000K0	E-RING 6		*		1.00
28	SS4110715SP	SCREW 11/64-40 L=7		*		2.00
29	22949408	CLUTCH SPRING		*		1.00
30	40087245	CLUTCH PLATE ASM.		*		1.00
31	22950109	PICKER LINK		*		1.00
32	WP0621016SH	WASHER		*		1.00
33	NS6150430SP	NUT 15/64-28		*		2.00
34	RE0600000K0	E-RING 6		*		1.00
35	22948301	MOVING KNIFE LINK		*		1.00
36	RE0500000K0	E-RING		*		1.00
37	22948400	MOVING KNIFE LINK PIN		*		1.00
38	22949309	KNIFE RETURN SPRING B		*		1.00
39	RE0400000K0	E-RING 4		*		2.00
40	22949101	ROLLER FULCRUM SHAFT		*		1.00
41	22949200	ROLLER RETURN SPRING		*		1.00
42	SS7090610SP	SCREW 9/64-40 L=6		*		1.00
43	22949002	ROLLER ARM SEAT		*		1.00
44	11040953	ROLLER ARM ASM.		*		1.00
45	11040854	KNIFE DRIVING ARM ASM.		*		1.00
46	HK034610140	HOUSING 14P				1.00
47	SS4150915SP	SCREW 15/64-28 L=9				2.00
48	22951164	SOLENOID UNIT				1.00
49	22949903	CLUTCH LINK		*		1.00
50	22951008	SOLENOID PIN		*		1.00

51	RE0500000K0	E-RING		*		1.00
52	SS6110710TP	SCREW 11/64-40 L=6.5		*		1.00
53	40106930	THREAD TRIMMER SOLENOID ASM.		*		1.00
54	40106931	THREAD TRIMMER SOLENOID		*		1.00
55	22951404	SOLENOID BASE		*		1.00
56	NM6040001SE	NUT M4		*		2.00
57	WS0410002KR	SPRING WASHER M4		*		2.00
58	SD0600361SP	HINGE SCREW D=6 H=3.6				1.00
59	SS4151215SP	SCREW 15/64-28 L=12				2.00
60	22924807	PIPE HOLDER LOWER	FOR DLN-5410N-7-00			1.00
61	22951552	GROUND WIRE ASM.				1.00
62	22962708	TUBE HOLDER LOWER	FOR DLN-5410N-7-0B,-WB			1.00

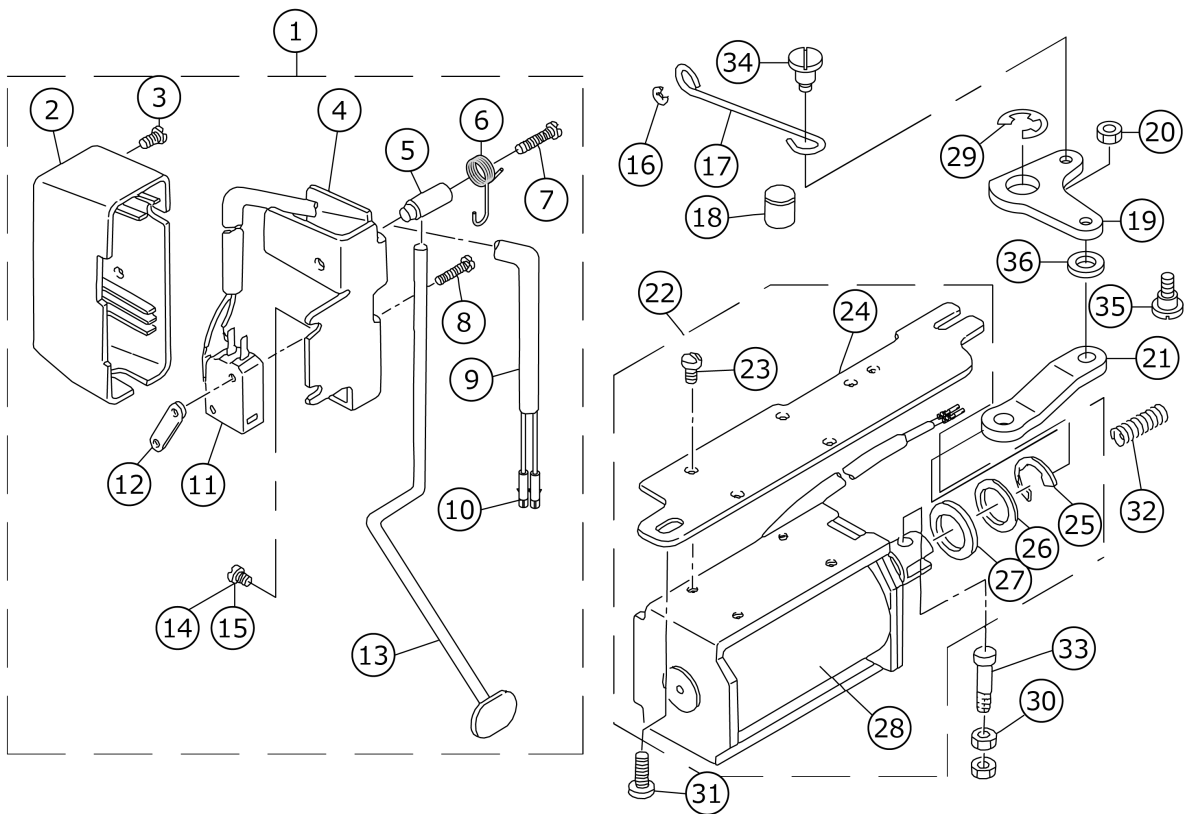


# NEEDLE BAR FRAME COMPONENTS



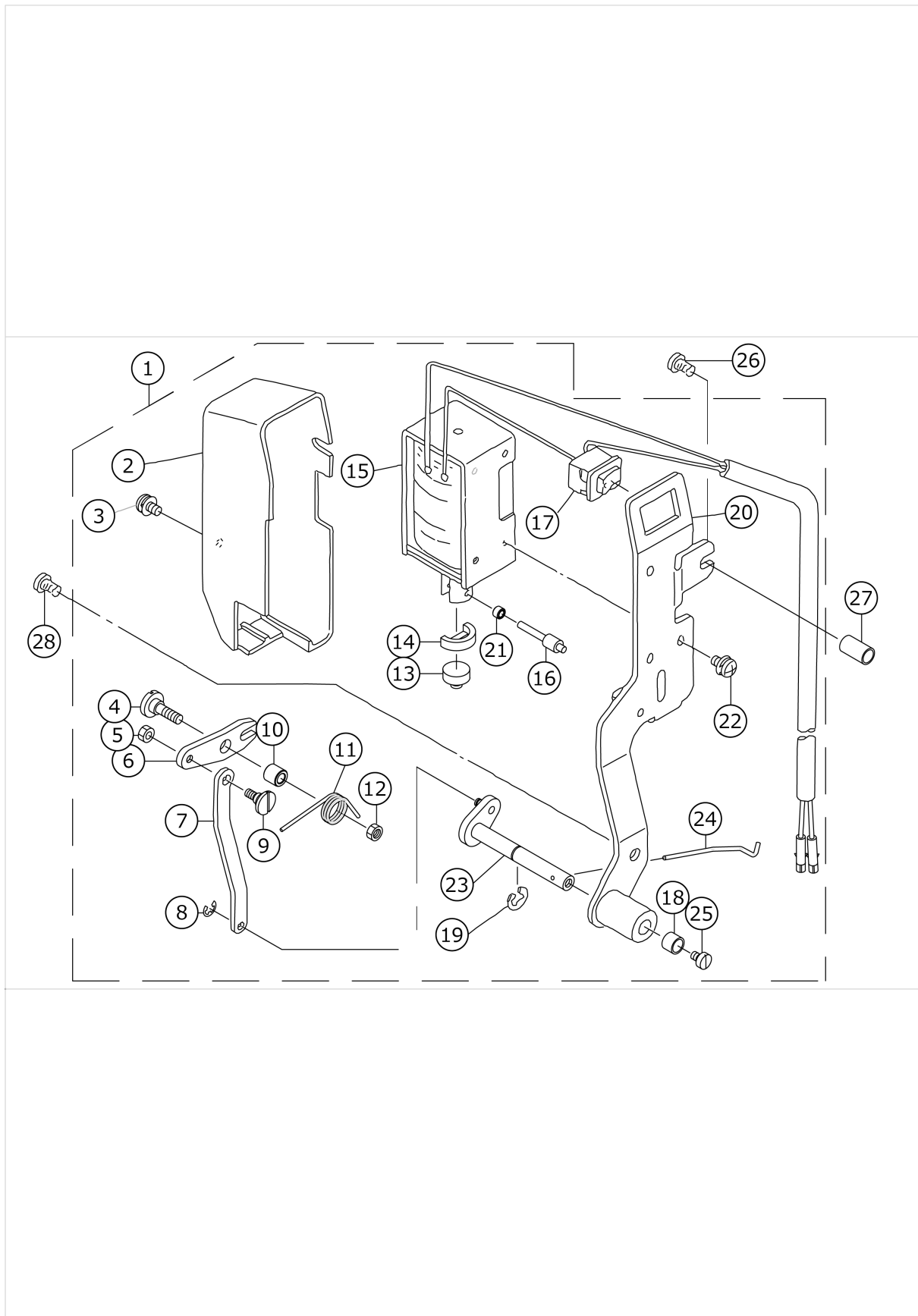
No.	品番	品名	備考	子部品	消耗品	個数
1	11304052	SHAFT ARM ASM. (FRONT)				1.00
2	11304003	DRIVING CRANK FRONT		*		1.00
3	SS6121220TP	SCREW 3/16-28 L=11.5		*		1.00
4	11211000	ROCK SHAFT BUSHING FRONT				1.00
5	B1412352B00	NEEDLE BAR LINK PIN	SELECTIVE PARTS			2.00
6	B2906415000	DRIVING LINK				1.00
7	SS6090660TP	SCREW 9/64-40 L=6				2.00
8	CS120101BSH	THRUST COLLAR ASM.				2.00
9	SS8660410SP	SCREW 1/4-40 L=4.2		*		4.00
10	11210903	ROCK SHAFT BUSHING REAR				1.00
11	SS8120740SP	SCREW 3/16-28 L=7				1.00
12	SD0790501SP	HINGE SCREW D=7.94 H=5				1.00
13	11304201	CONNECTING ROD				1.00
14	NS6150310SP	NUT 15/64-28				1.00
15	11304300	CONNECTING ROD SHAFT				1.00
16	WP0621016SD	WASHER 6.2X13X1				1.00
17	NS6150430SP	NUT 15/64-28				1.00
18	SB309000400	BEARING				1.00
19	11303807	SLIDE BLOCK GUIDE				1.00
20	SS6121610SP	SCREW 3/16-28 L=15.5				1.00
21	SS8120740SP	SCREW 3/16-28 L=7				1.00
22	11214509	BUSHING				1.00
23	SS6090810TP	SCREW 9/64-40 L=7.5				2.00
24	11303906	NEEDLE BAR FRAME GUIDE				1.00
25	11303567	NEEDLE ROD ROCKING BASE ASM.				1.00
26	SS8110310SP	SCREW 11/64-40 L=2.8		*		1.00
27	SS6110640SP	SCREW 11/64-40 L=6				1.00
28	11304151	SHAFT ARM ASM. (REAR)				1.00
29	SS7121410SP	SCREW 3/16-28 L=14		*		1.00
30	11304409	CONNECTING SHAFT				1.00

# AUTOMATIC REVERSE FEED MECHANISM COMPONENTS



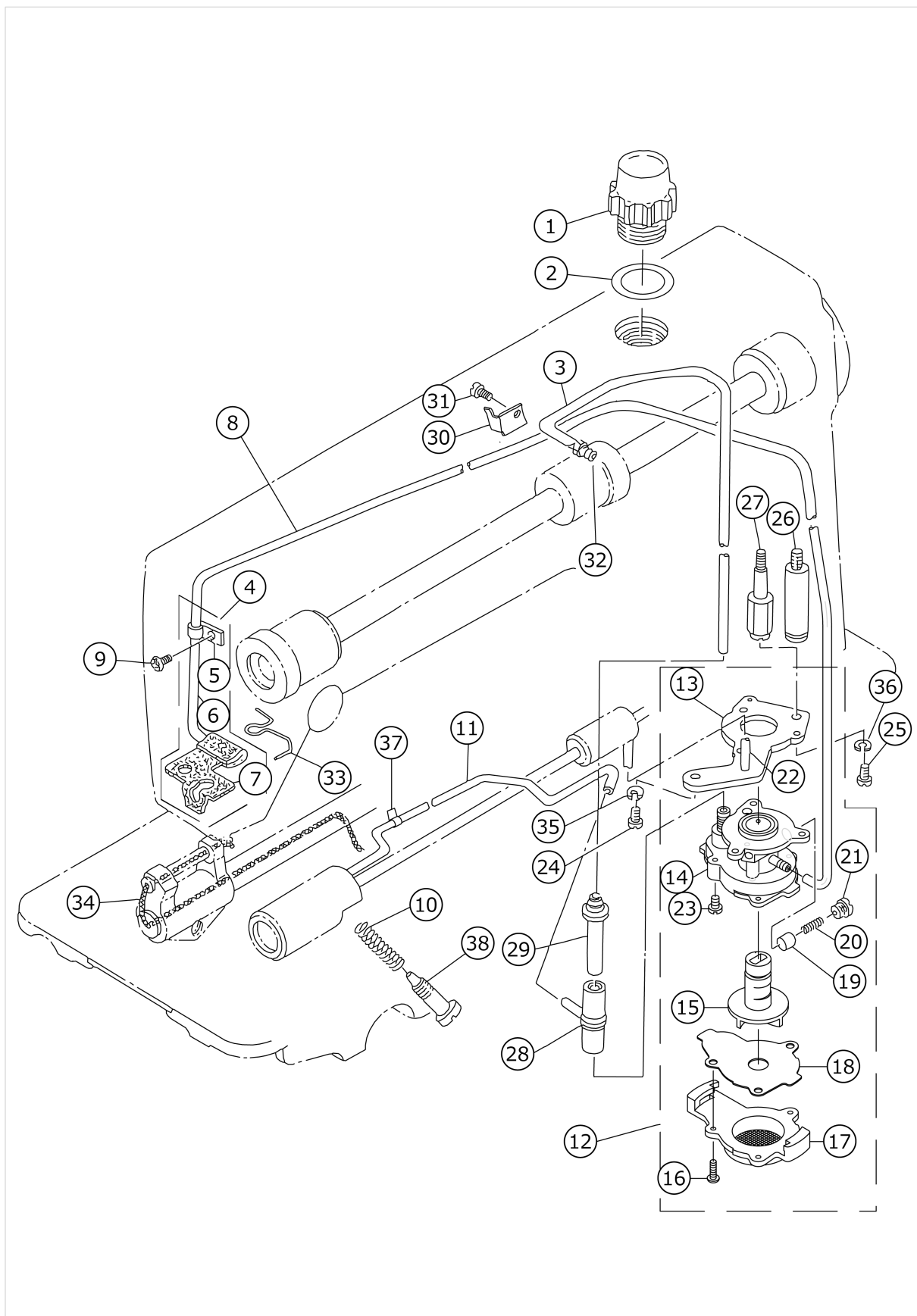
No.	品番	品名	備考	子部品	消耗品	個数
1	11327053	BACKWARD FEED SWITCH ASM.				1.00
2	22954606	REVERSE FEED SWITCH COVER		*		1.00
3	SM4040655SP	SCREW M4 L=6		*		1.00
4	22954101	REVERSE FEED SWITCH BASE		*		1.00
5	22954200	REVERSE FEED SWITCH SHAFT		*		1.00
6	22954309	REVERSE FEED SWITCH SPRING		*		1.00
7	SM4041655SP	SCREW M4 L=16		*		1.00
8	SM4031501SC	SCREW M3 L=15		*		2.00
9	HW500070000	2-CORE CABTYRE CORD		*		1.31
10	HK03464000B	PIN CONTACT		*		2.00
11	HA001900000	MICROSWITCH		*		1.00
12	11102308	MICRO SWITCH PLATE		*		1.00
13	11326808	REVERSE FEED CONTROL LEVER		*		1.00
14	SS4120615SP	SCREW 3/16-28 L=6	FOR DLN-5410N-7-0B			1.00
15	SS4120915SP	SCREW 3/16-28 L=9				1.00
16	RE0500000KP	E-RING 5				1.00
17	11101300	REVERSE FEED CONNECTING SHAFT				1.00
18	22962609	REVERSE FEED BASE COLLAR				1.00
19	11101508	REVERSE FEED LINK				1.00
20	NS6110420SP	NUT 11/64-40				1.00
21	22962500	REVERSE FEED CONNECTING LINK H				1.00
22	40090750	SOLENOID MOUNTING BASE ASM.				1.00
23	SS7110740TP	SCREW 11/64-40 L=7		*		4.00
24	40090752	SOLENOID INSTALLING PLATE		*		1.00
25	RE1200000K0	E-RING 12		*		1.00
26	WP1703001SC	WASHER 17X30X3		*		1.00
27	D2468555B00	RUBBER PLUNGER		*		1.00
28	40090751	REVERSE FEED SOLENOID		*		1.00
29	RE0900000K0	E-RING 9				1.00
30	NS6110420SP	NUT 11/64-40				2.00
31	SS4150915SP	SCREW 15/64-28 L=9				1.00
32	11217601	WALKING FOOT SPRING				1.00
33	22962906	PLUNGER ARM PIN				1.00
34	SD0700451TP	HINGE SCREW D=7 H=4.5				1.00
35	SD0700711TP	HINGE SCREW D=7 H=7.1				1.00
36	WP0722316SH	WASHER				1.00

# WIPER COMPONENTS



No.	品番	品名	備考	子部品	消耗品	個数
1	11327558	WIPER ASM.				1.00
2	22955504	WIPER COVER		*		1.00
3	SL4030631SC	SCREW M3X6		*		1.00
4	SD0650321TP	HINGE SCREW D=6.5 H=3.2		*		1.00
5	NS6090310SP	NUT 9/64-40		*		1.00
6	22956106	WIPER LINK A		*		1.00
7	22956403	WIPER LINK B		*		1.00
8	RE0250000K0	E-RING 2.5		*		1.00
9	22956908	WIPER LINK B HINGE SCREW		*		1.00
10	22956205	WIPER HINGE SCREW COLLAR		*		1.00
11	22956304	WIPER SPRING		*		1.00
12	NS6110310SP	NUT 11/64-40		*		1.00
13	22955900	WIPER RUBBER A		*		1.00
14	22956007	WIPER RUBBER B		*		1.00
15	40106936	WIPER SOLENOID ASM.		*		1.00
16	22957104	WIPER SOLENOID SHAFT		*		1.00
17	HA00600000A	SWITCH		*		1.00
18	22956809	WIPER COLLAR		*		1.00
19	RE0500000K0	E-RING		*		1.00
20	11110152	WIPER BASE ASM.		*		1.00
21	22957203	WIPER LINK COLLAR		*		1.00
22	SL4030641SE	SCREW		*		3.00
23	11315058	WIPER DRIVING SHAFT ASM.		*		1.00
24	22957005	WIPER		*		1.00
25	SS6090540SP	SCREW 9/64-40 L=5.0		*		1.00
26	SS6121840SP	SCREW 3/16-28 L=18				1.00
27	11315108	COLLAR				1.00
28	SS4120915SP	SCREW 3/16-28 L=9				1.00

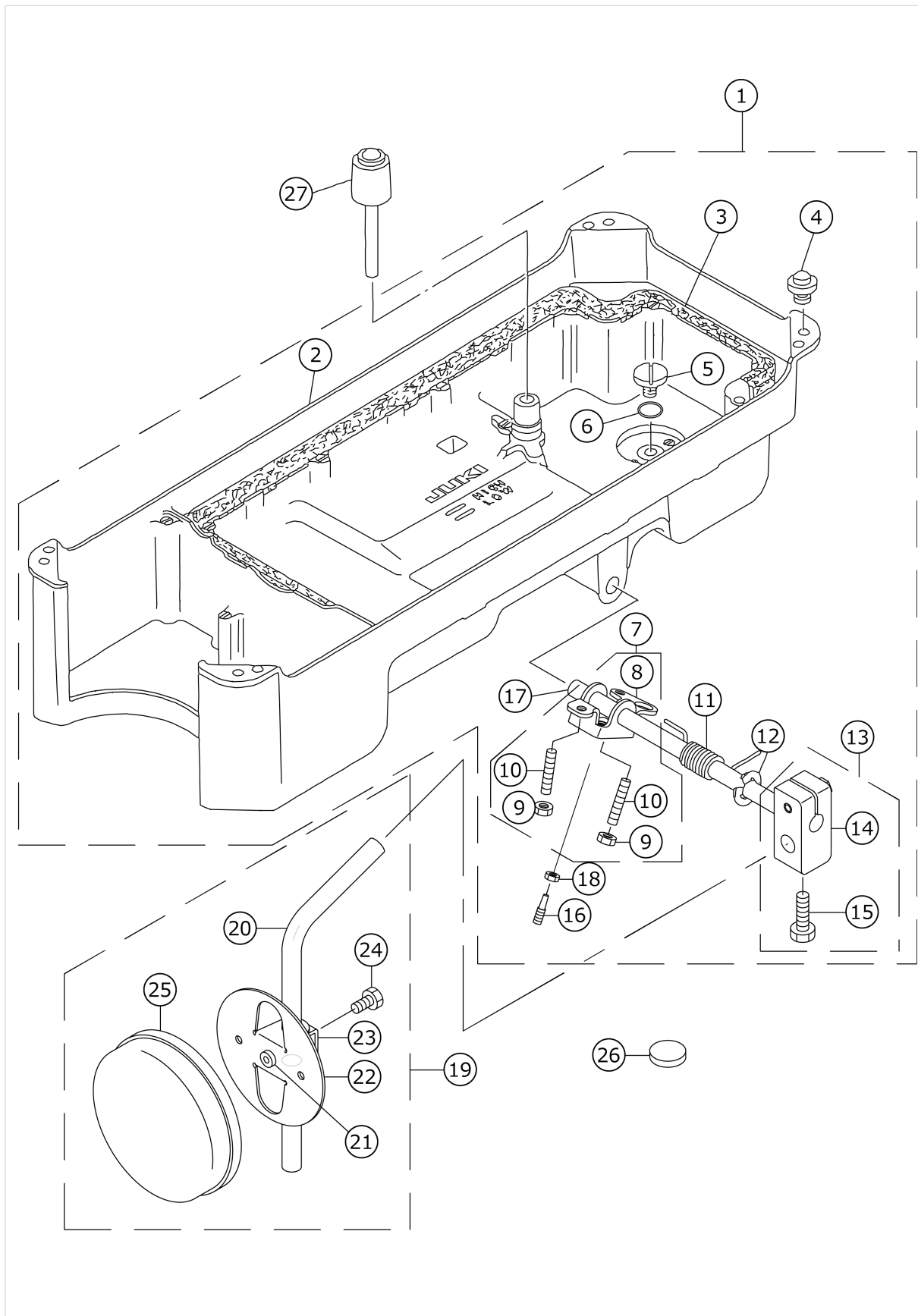
# OIL LUBRICATION COMPONENTS



No.	品番	品名	備考	子部品	消耗品	個数
1	22947006	OIL SIGHT WINDOW				1.00
2	RO195240100	RUBBER RING				1.00
3	BT0600402EA	OIL TUBE				0.27
4	11307154	OIL RETURN TUBE ASM.				1.00
5	B3536122000	HOLDER		*		1.00
6	11307204	FELT B		*		1.00
7	11307105	FELT A		*		1.00
8	BT0500300EA	OIL TUBE				0.69
9	SS4120615SP	SCREW 3/16-28 L=6				1.00
10	22924906	OIL REGULATOR SCREW SPRING				1.00
11	11307352	OIL WICK ASM.				1.00
12	22923056	OIL PUMP ASM.				1.00
13	22923312	OIL PUMP INSTALLING BASE		*		1.00
14	22923015	OIL PUMP		*		1.00
15	22923700	IMPELLER		*		1.00
16	SE4301041SR	SCREW D=3 L=10		*		3.00
17	22923205	PUMP BODY COVER		*		1.00
18	22923809	PUMP BODY SUPPORT PLATE		*		1.00
19	22923403	PLUNGER		*		1.00
20	22923601	PLUNGER SPRING		*		1.00
21	22923502	PLUNGER SCREW		*		1.00
22	22923908	HOOK DRIVING SHAFT OILING PIPE		*		1.00
23	SL4030851SF	SCREW M3 L=8		*		3.00
24	SS4150915SP	SCREW 15/64-28 L=9				1.00
25	SS6111010TP	SCREW 11/64-40 L=9.5				1.00
26	22924005	PUMP BODY STRUT	FOR DLN-5410N-7-00			1.00
27	11231503	OIL PUMP SUPPORT	FOR DLN-5410N-7-0B,-WB			1.00
28	22924609	RUBBER JOINT				1.00
29	11221504	OIL TUBE JOINT				1.00
30	11222007	HOLDER				1.00
31	SS6080340SP	SCREW 1/8-44 L=2.9				1.00
32	SQ1150501SD	CONNECTING SCREW				1.00
33	11307006	OIL FELT PRESSER				1.00
34	CQ252000000	OIL WICK				0.30
35	WS0451040KP	SPRING WASHER 4.5X8.5X1	FOR DLN-5410N-7-0B,-WB			1.00
36	WS0651310KP	SPRING WASHER 6.5X11X1.3	FOR DLN-5410N-7-0B,-WB			1.00
37	EA9500B0200	CABLE BAND 150				1.00
38	22925002	OIL REGULATOR SCREW				1.00

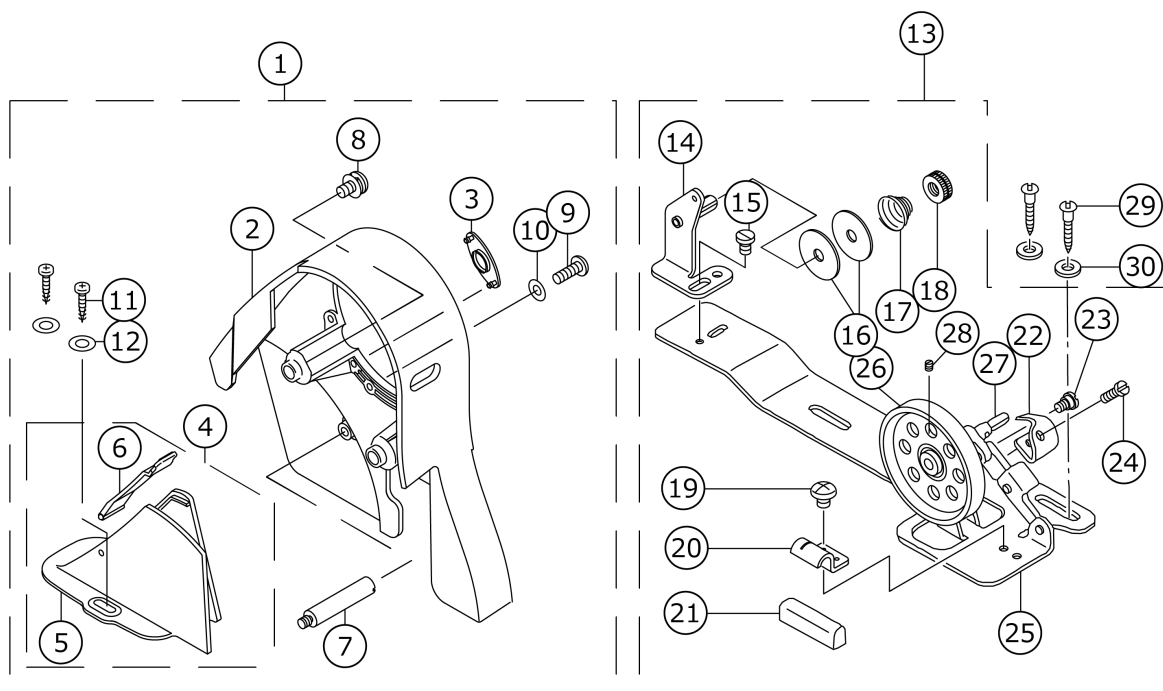


# OIL RESERVOIR COMPONENTS



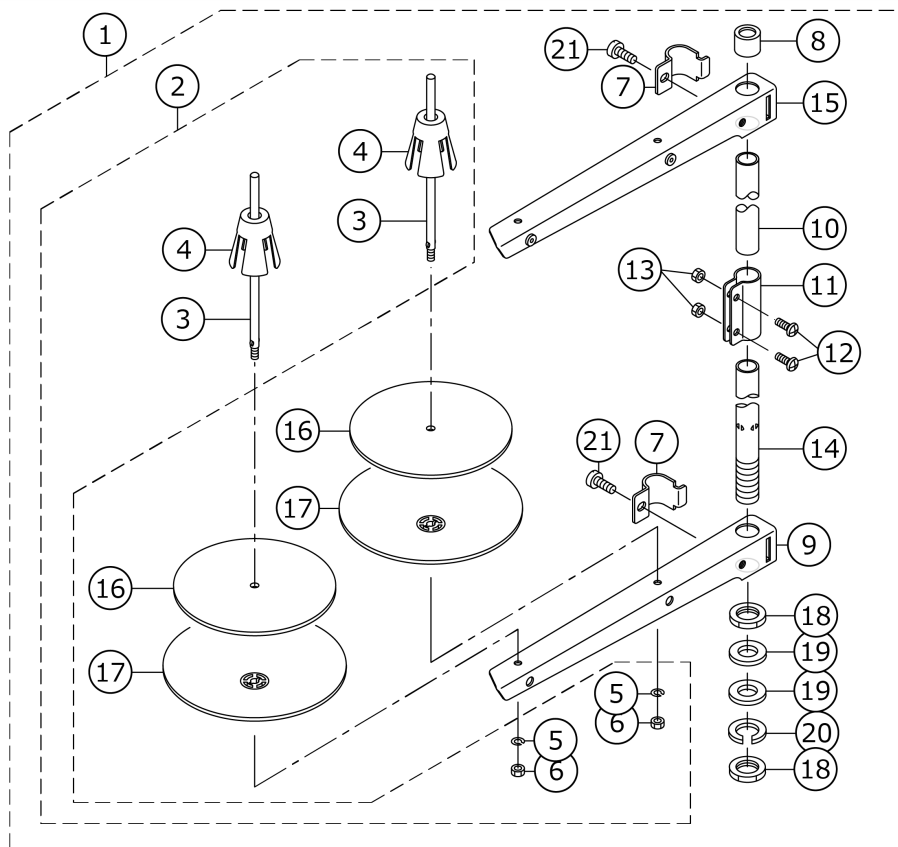
No.	品番	品名	備考	子部品	消耗品	個数
1	11047057	OIL RESERVOIR ASM.				1.00
2	11023017	OIL RESERVOIR		*		1.00
3	11024700	GASKET		*		1.00
4	11047107	RUBBER CUSHION		*		4.00
5	SS6700710SH	SCREW 5/16-24 L=7		*		1.00
6	RO098240100	RUBBER RING		*		1.00
7	22932156	KNEE LIFTER ROTATION ARM ASM.		*		1.00
8	22932107	KNEE LIFTER ROTATION ARM		*		1.00
9	NM6060001SE	NUT M6		*		2.00
10	SM8063012TR	SCREW M6 L=30		*		2.00
11	22932206	SPRING		*		1.00
12	RE1000000K0	E-RING 10		*		1.00
13	22932453	BRACKET ASM.		*		1.00
14	22932404	BRACKET		*		1.00
15	22934707	BRACKET SCREW		*		2.00
16	40101720	SCREW_M6		*		1.00
17	22932305	KNEE PRESS CROSS SHAFT		*		1.00
18	NM6060001SE	NUT M6		*		1.00
19	22934251	KNEE PAD PLATE ASM.				1.00
20	22934608	KNEE PAD UPRIGHT SHAFT		*		1.00
21	22934400	KNEE PAD PLATE RUBBER		*		1.00
22	22934202	KNEE PAD PLATE		*		1.00
23	22934301	KNEE PAD PLATE SUPPORT		*		1.00
24	SM9061203SE	SCREW M6 L=12		*		1.00
25	22934509	KNEE PAD PLATE COVER		*		1.00
26	B8228125000	OIL RESERVOIR MAGNET				1.00
27	22931703	KNEE LIFTER PUSH ROD				1.00

# BELT COVER & BOBBIN COMPONENTS



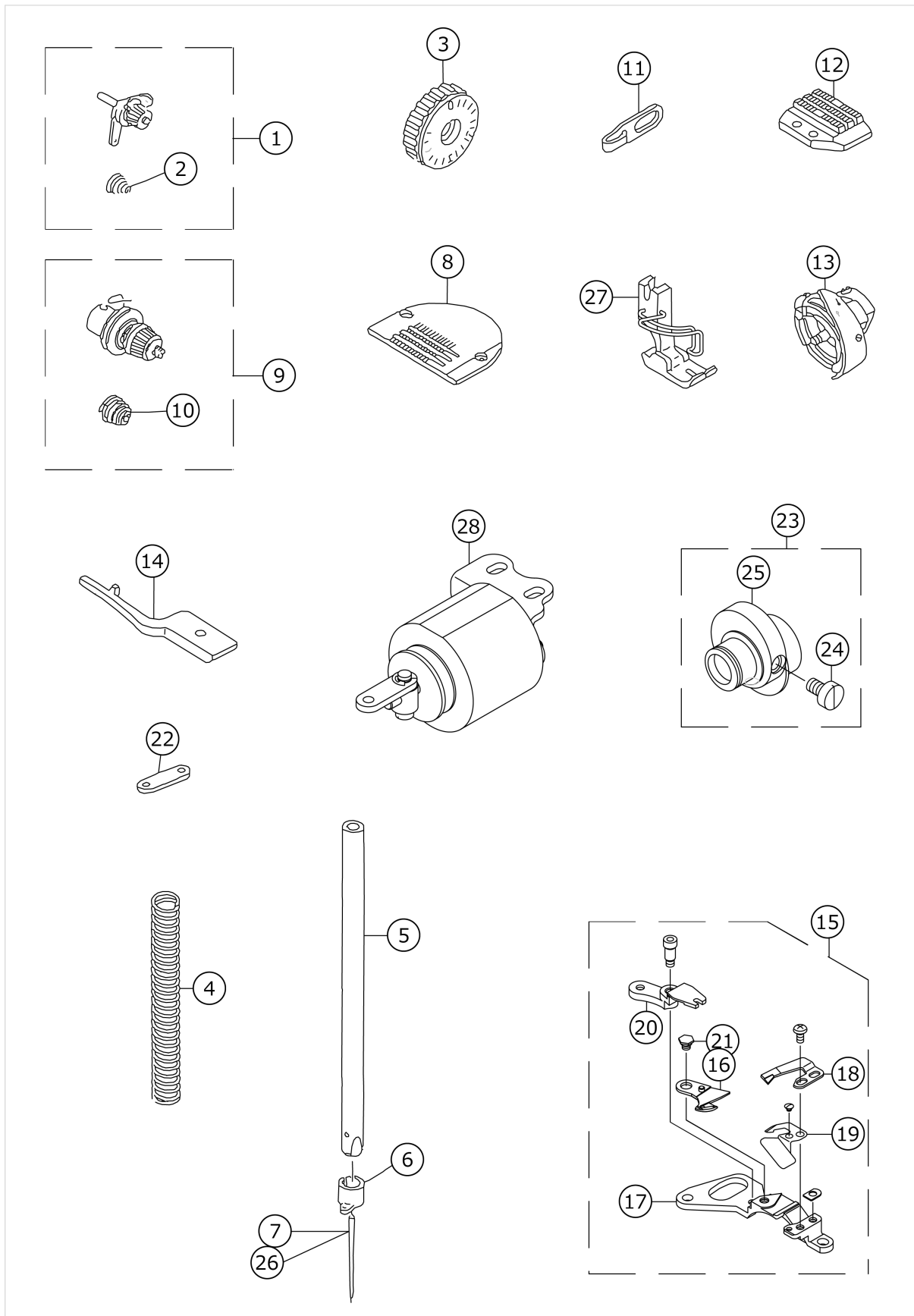
No.	品番	品名	備考	子部品	消耗品	個数
1	22933451	BELT COVER ASM.				1.00
2	22933402	BELT COVER A		*		1.00
3	22933501	BELT COVER A CAP		*		1.00
4	22933659	BELT COVER B COMPL.		*		1.00
5	22933600	BELT COVER B		*		1.00
6	22933758	BELT COVER B LID ASM.		*		1.00
7	22933907	BELT COVER STRUT		*		1.00
8	22934004	SET SCREW		*		2.00
9	SS4121415SP	SCREW 3/16-28 L=14		*		1.00
10	WP0501016SD	WASHER 5X10.5X1		*		1.00
11	SK3412000SC	WOOD SCREW D=4.1 L=20		*		2.00
12	WP0450826SC	WASHER 4.5X10X0.8		*		2.00
13	22927354	BOBBIN WINDER COMPL.				1.00
14	22928501	THREAD TENSION POST BASE		*		1.00
15	SS4110515SP	SCREW 11/64-40 L=5		*		1.00
16	22928907	THREAD TENSION DISK		*		2.00
17	22929004	THREAD TENSION SPRING		*		1.00
18	22928808	NUT		*		1.00
19	SS7110350SP	SCREW 11/64-40 L=3.5		*		1.00
20	22928402	CONTROL RUBBER HOLDING PLATE		*		1.00
21	22928303	CONTROL RUBBER		*		1.00
22	22928105	BOBBIN PRESSER		*		1.00
23	SD0490261SP	HINGE SCREW D=4.9 H=2.6		*		1.00
24	SS7081310SP	SCREW 1/8-44 L=12.5		*		1.00
25	22927305	BOBBIN WINDER BASE		*		1.00
26	22927404	BOBBIN WINDER		*		1.00
27	22927602	BOBBIN WINDER SPINDLE		*		1.00
28	SS8110510SP	SCREW 11/64-40 L=5		*		1.00
29	SK3412000SC	WOOD SCREW D=4.1 L=20				2.00
30	WP0450826SC	WASHER 4.5X10X0.8				2.00

# THREAD STAND COMPONENTS



No.	品番	品名	備考	子部品	消耗品	個数
1	22930358	THREAD STAND ASM.				1.00
2	40062684	SPOOL PIN ASM.		*		1.00
3	22931000	SPOOL PIN		*		2.00
4	22931109	SPOOL RETAINER		*		2.00
5	WS0510002KN	SPRING WASHER		*		2.00
6	NM6050001SE	NUT M5		*		2.00
7	22930705	THREAD GUIDE ARM JOINT		*		2.00
8	22931406	SPOOL REST ROD RUBBER CAP		*		1.00
9	22930507	SPOOL REST ARM		*		1.00
10	22930408	SPOOL REST ROD UPPER		*		1.00
11	22931307	SPOOL REST ROD JOINT		*		1.00
12	SM4051405SE	SCREW M5 L=14		*		2.00
13	NM6050001SE	NUT M5		*		2.00
14	22930309	SPOOL REST ROD LOWER		*		1.00
15	22930556	THREAD STANDING ARM ASM.		*		1.00
16	22930903	SPOOL REST CUSHION		*		2.00
17	22930804	SPOOL REST		*		2.00
18	NM6160511SE	NUT M16X1.5		*		2.00
19	WP1612616SE	WASHER 16.1X30X2.6		*		2.00
20	WS1643202KR	SPRING WASHER		*		1.00
21	SM6061610SC	SCREW M6 L=16		*		2.00

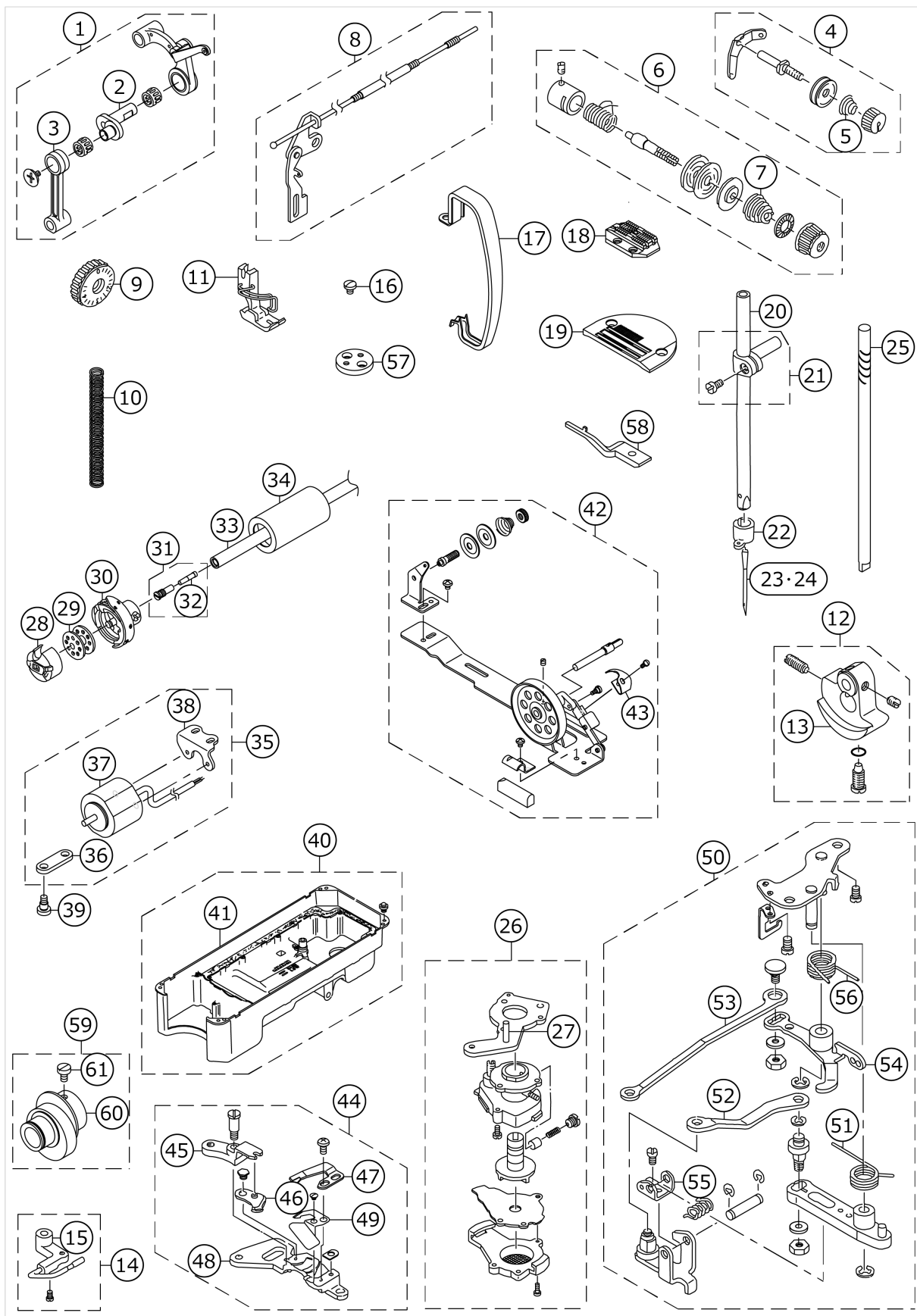
# EXCLUSIVE PARTS FOR DLN-5410NH-7



No.	品番	品名	備考	子部品	消耗品	個数
1	22963458	THREAD TENSION ASM.				1.00
2	22963409	THREAD TENSION SPRING		*		1.00
3	11326303	FEED DIAL				1.00
4	B1505552000A	PRESSER SPRING				1.00
5	11320801	NEEDLE BAR				1.00
6	B1418415H00	NEEDLE BAR THREAD GUIDE				1.00
7	MDB100B2100	NEEDLE DBX1 #21				1.00
8	B1109415H0B	THROAT PLATE (H)				1.00
9	22962054	THREAD TENSION ASM.				1.00
10	22962005	THREAD TENSION SPRING		*		1.00
11	11091006	ARM THREAD GUIDE (HA)				1.00
12	11322203	FEED DOG H				1.00
13	11321452	LUBRICATING HOOK ASM.				1.00
14	22962401	POSITIONING FINGER H				1.00
15	11095551	KNIFE UNIT				1.00
16	11409257	MOVING KNIFE J ASM.		*		1.00
17	11095502	KNIFE MOUNT BASE		*		1.00
18	40089755	FIX KNIFE		*		1.00
19	23645401	THREAD GUIDE FOR KNIFE H		*		1.00
20	11095601	KNIFE BRANCH		*		1.00
21	SD0500131TP	HINGE SCREW D=5 H=1.25		*		1.00
22	11094604	CLUTCH LINK				1.00
23	11322450	FEED ECCENTRIC CAM H ASM.				1.00
24	SS6661110SP	SCREW 1/4-40 L=11		*		2.00
25	11322401	FEED ECCENTRIC CAM H		*		1.00
26	MC200501300	NEEDLE 134 NM130	FOR JE			1.00
27	B1524041EBO	PRESSER FOOT ASM.				1.00
28	11096559	SOLENOID UNIT				1.00



# EXCLUSIVE PARTS FOR DLN-5410NJ-7



No.	品番	品名	備考	子部品	消耗品	個数
1	11308459	THREAD TAKE-UP LEVER COMPL.				1.00
2	11308400	NEEDLE BAR CRANK J		*		1.00
3	11308301	NEEDLE BAR CRANK ROD		*		1.00
4	22963458	THREAD TENSION ASM.				1.00
5	22963409	THREAD TENSION SPRING		*		1.00
6	22962054	THREAD TENSION ASM.				1.00
7	22962005	THREAD TENSION SPRING		*		1.00
8	11308657	THREAD TENSION RELEASE WIRE				1.00
9	11326303	FEED DIAL				1.00
10	B1505552000A	PRESSER SPRING				1.00
11	B1524041E0	PRESSER FOOT ASM.				1.00
12	40057179	COUNTER WEIGHT ASM.				1.00
13	40057178	COUNTER WEIGHT		*		1.00
14	11408655	PICKER ARM ASM.				1.00
15	11408606	PICKER ARM		*		1.00
16	SS7110540SP	SCREW 11/64-40 L=5				2.00
17	11415205	THREAD TAKE-UP LEVER COVER(JE)				1.00
18	D1609415B0H	FEED DOG				1.00
19	B1109415H0B	THROAT PLATE (H)				1.00
20	11308103	NEEDLE BAR J				1.00
21	11308251	NEEDLE ROD HOLDER ASM.				1.00
22	B1418415H00	NEEDLE BAR THREAD GUIDE				1.00
23	MDB100B2100	NEEDLE DBX1 #21				1.00
24	MC200501300	NEEDLE 134 NM130	FOR JE			1.00
25	11401403	UPRIGHT SHAFT				1.00
26	11404555	LUBRICATING OIL PUMP ASM.				1.00
27	11404605	HOOK DRIVING SHAFT OIL TUBE		*		1.00
28	B1837201SA0	BOBBIN CASE ASM.				1.00
29	40021610	BOBBIN				1.00
30	D1830560EA0	HOOK ASM.				1.00
31	11404753	OIL SEAL SCREW				1.00
32	11404704	OIL WICK		*		1.00
33	11403300	HOOK DRIVING SHAFT				1.00
34	40021613	HOOK DRIVING SHAFT BUSH FRONT				1.00
35	11407459	SOLENOID UNIT				1.00
36	11407707	CLUTCH LINK		*		1.00
37	40090753	THREAD TRIMMER SOLENOID		*		1.00
38	11407608	SOLENOID BASE		*		1.00
39	SD0600452TP	HINGE SCREW D=6 H=4.5				1.00
40	11142064	OIL RESERVOIR ASM.				1.00
41	11142056	OIL RESERVOIR ASM.		*		1.00
42	11415866	BOBBIN WINDER COMPL.				1.00
43	11415908	POSITIONING FINGER		*		1.00
44	11409554	KNIFE UNIT				1.00
45	11409703	FEED FORKED		*		1.00
46	11409257	MOVING KNIFE J ASM.		*		1.00
47	40089755	FIX KNIFE		*		1.00
48	11409505	INSTALLING BASE		*		1.00
49	11095403	KNIFE THREAD GUIDE		*		1.00
50	11407053	THREAD TRIMMER DRIVING UNIT				1.00

51	11041605	KNIFE RETURN SPRING		*		1.00
52	11407103	MOVING KNIFE LINK		*		1.00
53	11407202	PICKER LINK		*		1.00
54	11407855	CLUTCH PLATE ASM.		*		1.00
55	11094307	ROLLER ARM BRACKET		*		1.00
56	11094406	SPRING		*		1.00
57	22902605	RULER STOP SEAT				1.00
58	40102871	POSITIONING FINGER				1.00
59	11322450	FEED ECCENTRIC CAM H ASM.				1.00
60	11322401	FEED ECCENTRIC CAM H		*		1.00
61	SS6661110SP	SCREW 1/4-40 L=11		*		2.00

# LIST FOR INFORMATION OF CHANGE (1)

As to the place changed, refer to the corresponding Rev.No.  
 When previous parts(Obsoleted part)and new parts(Added parts)are  
 not interchangeable with each other:  
 In this case, even obsoleted parts(D.)can be ordered with the  
 obsoleted part number, so select the parts with changed dates and  
 place your orders.

変更箇所は、該当Rev.No.版をご参照ください。

部品の互換性がない変更の場合は、削除された品番でも、ご注文できます。

29133006  
 No.0900-12...Rev.No.

\*A:Added parts追加部品/D:Obsoleted parts削除部品/E:Erratum訂正

* Rev. No.	Page 頁	Ref. No.	Parts No. 品番	* Rev. No.	Page 頁	Ref. No.	Parts No. 品番
D 11	2	17	111-00104	A 12	2	17	401-11022
D 11	2	42	M6002-350-AAF				
D 11	2	66	M6002-350-AAC				
D 11	2	67	M6002-350-AAL				
D 11	2	68	M6002-350-AAA				
D 11	2	69	SS-4121215-SP				
D 11	2	70	WP-0501016-SD				
D 11	4	4	110-39070	A 12	4	4	229-18072
D 11	4	5	110-39062	A 12	4	5	229-18064
D 11	4	6	B1905-541-B00	A 12	4	6	229-18403
				A 12	4	7	229-18502
				A 12	4	8	229-18601
				A 12	4	9	229-18700
D 11	4	7	110-05204	A 12	4	10	229-18106
D 11	4	8	B1408-552-000	A 12	4	11	229-06606
D 11	4	9	B1903-552-000	A 12	4	12	229-18304
D 11	4	10	229-03157	A 12	4	13	401-06606
D 11	4	12	229-03108	A 12	4	17	401-06607
D 11	4	21	110-02508	A 12	4	21	401-05231
D 11	8	28	112-30901	A 12	8	28	229-62807
D 11	12	6	110-40300	A 12	12	6	229-47907
D 11	12	11	HK-0346400-0B				
D 11	12	13	110-42553	A 12	12	13	229-50257
D 11	12	14	110-42504	A 12	12	14	229-50208
D 11	12	19	110-42850	A 12	12	19	229-50851
D 11	12	23	110-42264	A 12	12	23	229-49762
D 11	12	26	110-42306	A 12	12	26	229-50000
D 11	12	30	110-41852	A 12	12	30	400-87245
D 11	12	49	110-43957	A 12	12	49	229-51164
D 11	12	52	110-43205				
				A 12	12	53	401-06930
D 11	12	53	110-43908	A 12	12	54	401-06931
D 11	12	55	WP-0450000-SD	A 12	12	57	WS-0410002-KR
D 11	12	56	NM-6040000-SN	A 12	12	56	NM-6040001-SE
D 11	12	57	110-43304				
D 11	12	58	NS-6660410-SH				



# HOW TO MAKE USE OF THIS PARTS LIST

## 1.Explanation of codes

1)"\*"mark.....means this part is changed from the previous parts book.

As to the details of the change, refer to the "List for information of change".

2)"#01".....refer to "Note" explanation at bottom of page.

## 2.Codes on the "Qty" column

· Each numeral indicates the number of parts required.

· "0.1" and "2.5" indicate the length (in meters) of the respective parts.

3.Parentheses mean that the corresponding part is a subpart that constructs an assembly part.

4.Dotted lines on the Figures indicate assembly parts.

## 1."注記"欄の記号説明

1) "\*"印.....前回のパーツブックに比較して今回変更された部品を意味します。

変更内容は、"変更情報リスト"を参照してください。

2) "#01".....ページ下の"注記"の説明を参照してください。

2.数量欄の数字は、個数を表し、0.1、2.5等の数値は、長さ（単位メートル）を表します。

3.数量欄の（ ）は、組部品を構成している子部品であることを意味します。

4.イラストページの-----枠は、組構成であることを意味します。